

***Kroll air heaters:  
custom-made heat...***

**Kroll<sup>®</sup>**  
**Heating and  
Ventilating**



***Now also available with  
a stainless steel housing***



# The Kroll air heaters satisfy every requirement

The Kroll "LH" Range of Air Heaters offer an effective and efficient method of space heating that is flexible enough to fulfil most industrial heating applications such as factories, warehouses, workshops, greenhouses etc. The standard "LH" range



is an attractively styled unit, finished in a powered coated grey colour. The "LH-X" version has a stainless steel housing. The large range offers heaters from 10 to 203 kW of heat output. The integrated heat exchanger is made of copper/aluminium, utilizing warm water as heating medium, although units suitable for steam are also available. The range is hose proof having a protection

classification of IP 54 (explosion proof motors are also available). The multi-stage adjustable fans are perfect for the multitude of different needs that you may require on your site. They assure draught-free, area-wide and comfortable heat and air distribution. In order to calculate your requirements exactly, the Kroll consultant team is at your disposal. Please ask for further information!

Apparat type	Cu/ALU LTHW	LH 120	LH 130	LH 220	LH 230	LH 320	LH 330	LH 420	LH 430	LH 520	LH 530
		LH-X 120	LH-X 130	LH-X 220	LH-X 230	LH-X 320	LH-X 330	LH-X 420	LH-X 430	LH-X 520	LH-X 530
<b>Stage 3</b>											
Air volume	m <sup>3</sup> /h	1.750	1.550	2.450	2.300	3.600	3.400	3.950	3.900	5.200	4.900
Heating power at											
LTHW 90/70° C, EAT= + 20° C	kW	12,50	16,30	16,60	22,40	25,80	34,30	29,90	40,20	36,60	49,40
LTHW 90/70° C, EAT= - 15° C	kW	23,98	30,02	32,62	42,54	49,17	64,24	56,01	74,71	70,26	92,32
<b>Stage 2</b>											
Air volume	m <sup>3</sup> /h	1.250	1.150	2.050	1.850	2.350	2.000	2.800	2.650	3.300	3.150
Heating power at											
LTHW 90/70° C, EAT= + 20° C	kW	10,90	14,10	15,60	20,30	21,70	26,50	26,10	33,40	30,60	39,80
LTHW 90/70° C, EAT= - 15° C	kW	19,51	24,58	29,14	36,90	37,71	44,91	45,24	57,63	53,11	68,68
<b>Stage 1</b>											
Air volume	m <sup>3</sup> /h	900	850	1.900	1.550	1.650	1.350	1.900	1.850	2.450	2.200
Heating power at											
LTHW 90/70° C, EAT= + 20° C	kW	9,60	4,70	15,20	18,70	18,60	21,30	22,00	10,50	26,70	32,90
LTHW 90/70° C, EAT= - 15° C	kW	15,80	19,90	27,82	32,17	30,05	33,84	35,12	44,70	43,78	53,27
Motor 230 V~50 Hz max. power	kW	0,08	0,08	0,095	0,095	0,14	0,14	0,18	0,18	0,15	0,15



Apparat type	Cu/ALU LTHW	LH 620	LH 630	LH 720	LH 730	LH 920	LH 930
		LH-X 620	LH-X 630	LH-X 720	LH-X 730	LH-X 920	LH-X 930
<b>Stage 2</b>							
Air volume	m <sup>3</sup> /h	6.700	6.700	8.500	7.700	12.550	10.900
Heating power at							
LTHW 90/70° C, EAT= + 20° C	kW	44,50	59,20	63,40	82,60	83,40	108,30
LTHW 90/70° C, EAT= - 15° C	kW	87,24	113,02	119,21	150,98	163,26	203,45
<b>Stage 1</b>							
Air volume	m <sup>3</sup> /h	4.550	4.250	6.550	6.100	8.950	8.400
Heating power at							
LTHW 90/70° C, EAT= + 20° C	kW	38,50	49,70	57,70	73,70	73,40	96,10
LTHW 90/70° C, EAT= - 15° C	kW	69,05	88,17	101,55	129,12	133,23	171,42
Motor 400 V~50 Hz, max. power	kW	0,245	0,245	0,26	0,26	0,49	0,49

EAT = Entering Air Temperature

Please note: Applications with fresh air inlets must be equipped with an anti-icing thermostat!

From model LH 720 upwards, all apparats have 2 fans.



# Your advantages at a glance:

## ■ Large power range

A wide range of models with a multi-stage fan permits an optimal solution to your requirements. On request, we can also supply units that use steam as the heating medium and explosion proof motors.

## ■ Suitable for every application

They can easily be changed from wall-mounting to ceiling-mounting, which makes them extremely versatile.

## ■ Low noise level

No noise pollution due to quiet operation.

## ■ Elegant design

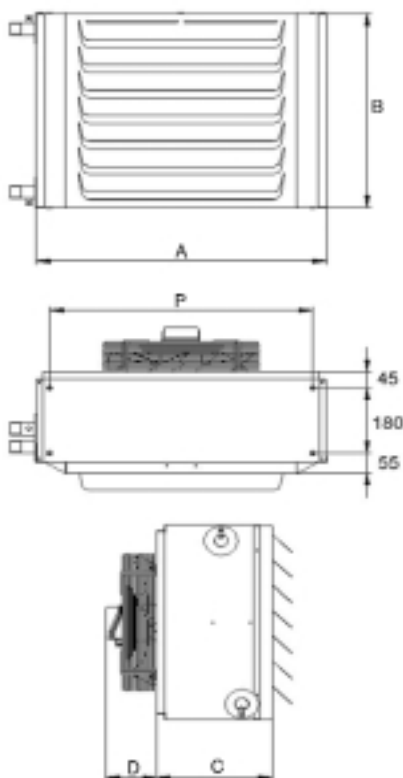
Besides the powdered version LH (RAL 7035), all models are also available in a stainless steel version LH-X.

## ■ Wide range of accessories

With the right accessories, a comfortable room climate becomes the most natural thing.

## ■ By the way:

Kroll adopts a certified quality management system and thus meets the requirements of DIN ISO 9001.



## Soundpressure level [dB(A)]\*

Type of apparat	3 <sup>rd</sup> stage	2 <sup>nd</sup> stage	1 <sup>st</sup> stage
LH/-X 120	50	47	41
LH/-X 130	50	47	41
LH/-X 220	51	47	45
LH/-X 230	51	47	45
LH/-X 320	52	40	43
LH/-X 330	52	40	43
LH/-X 420	53	49	43
LH/-X 430	53	49	43
LH/-X 520	53	49	43
LH/-X 530	53	49	43
LH/-X 620	53	49	47
LH/-X 630	53	49	47
LH/-X 720	52	-	46
LH/-X 730	52	-	46
LH/-X 920	53	-	48
LH/-X 930	53	-	48

\* measured in free space with 5 m distance

## Measures and weights:

Type of apparat	LH LH-X	120	130	220	230	320	330	420	430	520	530	620	630	720	730	920	930
A	mm	555		605		705		755		805		855		1205		1405	
B	mm	390		440		540		590		640		690		690		690	
C	mm	280		280		280		280		280		280		280		280	
D	mm	90		116		122		122		122		172		162		172	
P	mm	489		539		639		689		739		789		1139		1139	
Weight	kg	14	15	16	18	23	24	25	28	29	32	40	43	58	63	70	76



## Wide range of accessories:

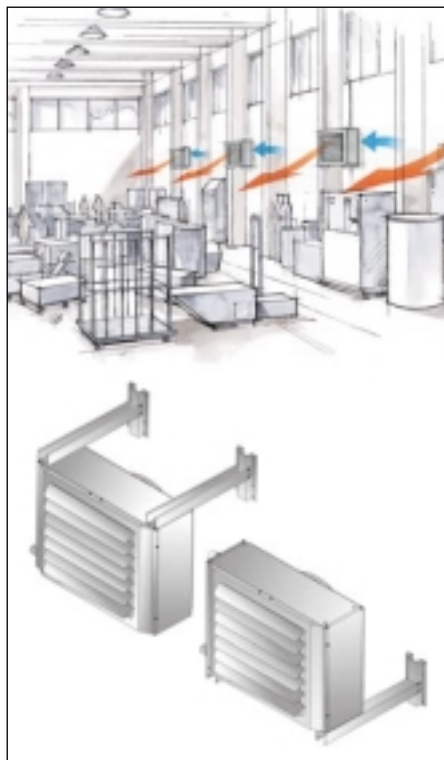


### ■ Large range of electric accessories

The different step switches and room thermostats permit an optimal adjustment of the room temperature.

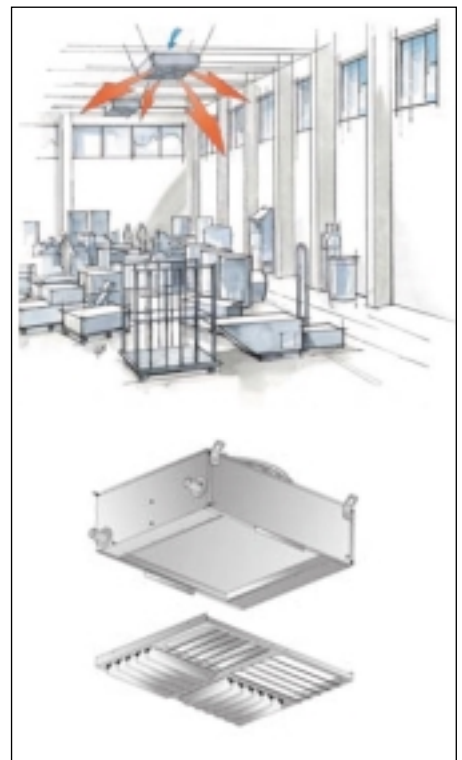
### ■ Vertical fins

Additionally built in behind the air outlet grill, the vertical fins improve the distribution of the warm air in the room.



### ■ Wall mounting

You can either support or hang the unit off the versatile wall mounting bracket.



### ■ Ceiling mounting

For ceiling mounted applications, you can replace the original outlet grill with a four-way grill which distributes the warm air perfectly.

## Pros heat and ventilate with Kroll

Head Office:

**Kroll GmbH**

71737 Kirchberg · Germany

Tel.: +49 7144/830 200 · Fax: +49 7144/830 201

e-mail: [vertrieb@kroll.de](mailto:vertrieb@kroll.de) · Internet: [www.kroll.de](http://www.kroll.de)

UK & Ireland Subsidiary:

**Kroll UK Ltd.**

BH 21 6SZ Wimborne-Dorset · Great Britain

Phone: (0044) 01202 822221 · Fax: (0044) 01202 822222

e-mail: [mail@krolluk.com](mailto:mail@krolluk.com) · Internet: [www.krolluk.com](http://www.krolluk.com)